

AGD201

27" Lightweight and Slim Double-Sided Monitor for Table Gaming Applications

Features

- Extremely slim double-sided monitor with only 28mm thickness
- Lightweight design with only 10 kg
- Panel lifetime up to 30,000 hours
- Resolution up to 1920 x 1080 @60Hz
- Supports HDMI and DP interface
- Adjustable screen brightness level
- Built-in LED light bar pattern for more than 13 modes
- LED light bar pattern controlled by USB interface
- Supports tailoring LED pattern in one minute by AxLED software
- Supports trigger LED strip pattern with the game or customized events



Specification

Panel Size	27 inch color TFT LCD
Aspect Ratio	16:9 (portrait)
Backlight	LED backlight
Resolution	1920 x 1080 @60Hz (max.)
Active Area	597.6 mm x 336.15 mm
Pixel Pitch	311.25um
Viewing Angle (H/V)	178°/178° (typ.)
Contrast Ratio	3000:1 (typ.)
Luminance	300 cd/m ² (typ.)
Response Time	12ms
Surface Treatment	Anti-Glare, 3H
Operating Temperature	0°C to 40°C (32°F to 104°F)
Dimension (H x W x D)	675 mm x 392 mm x 28 mm (without stand pole) 1091 mm x 392 mm x 122 mm (with stand pole)
Weight	10 kg (exclude cables and adapter)

Interface

I/O Connector	HDMI x 1 DP x 1 USB x 1 (LED strip pattern control)
---------------	---

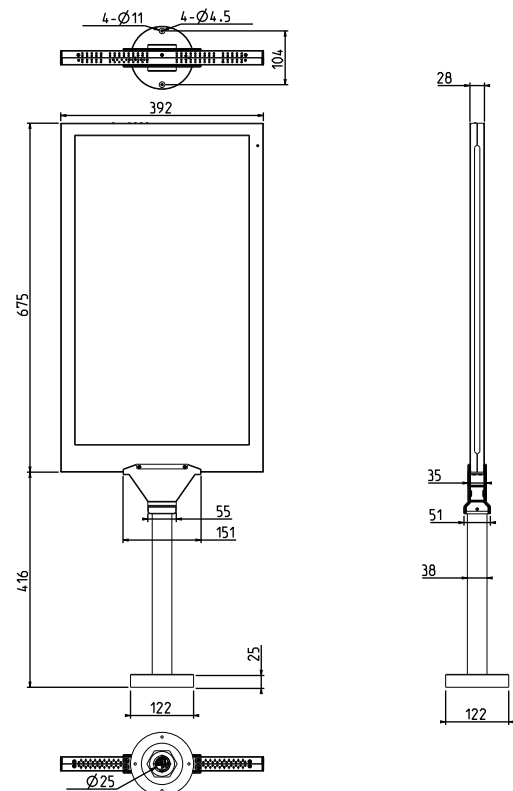
Power

Power Input	24V/90W DC Input
-------------	------------------

Ordering Information

AGD201	27" lightweight and slim double-sided monitor (Black)
AGD201-G	27" lightweight and slim double-sided monitor (Gold)

Dimensions



* All specifications and photos are subject to change without notice.

For more information please contact: gaming@axiomtek.com.tw No. 3121-0001801